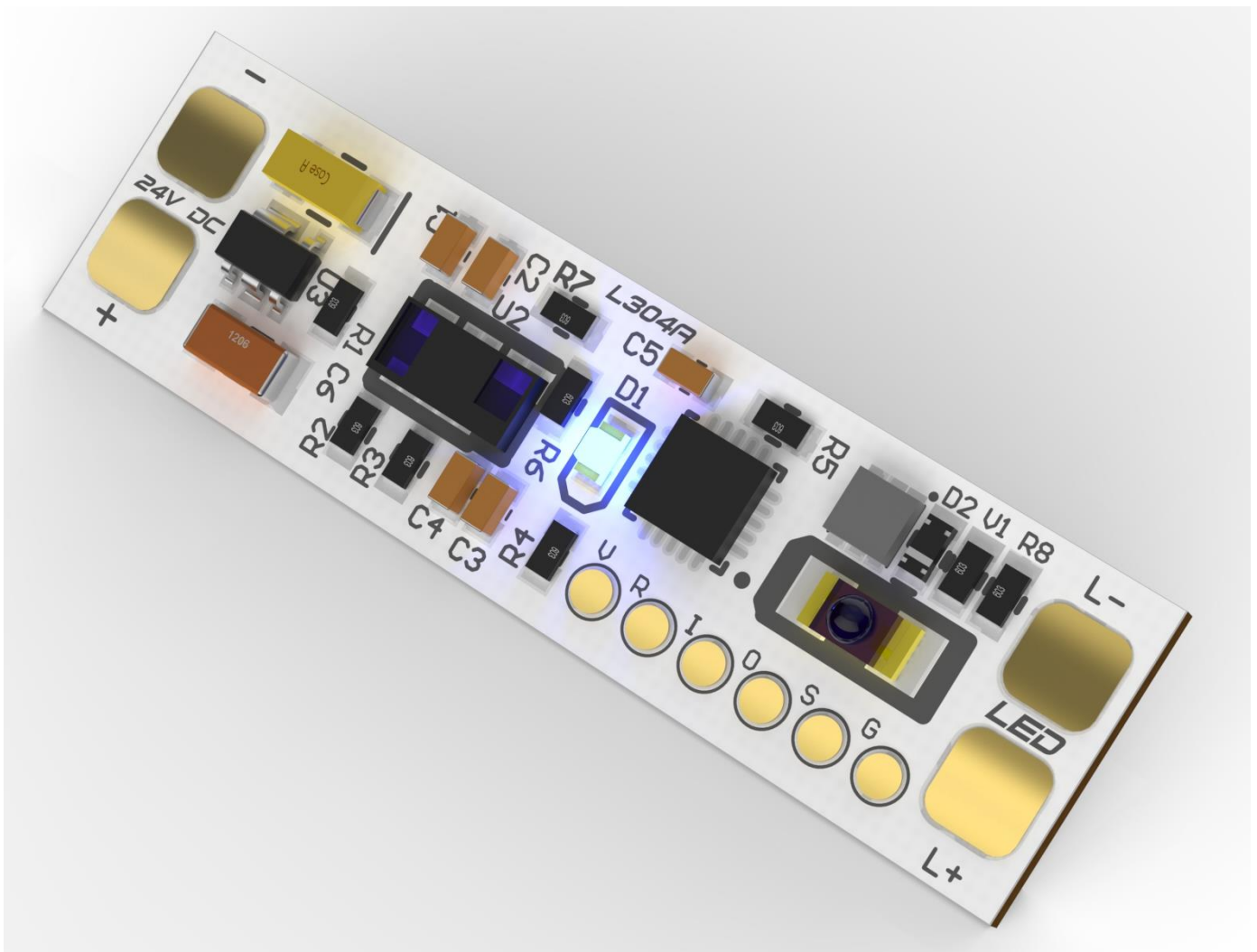




## ProxiDimmer L304



### INTRODUCTION

ProxiDimmer is an advanced controller for LED modules. Using newest technology we provide the best solution for lighting control. Connecting a few drivers with LED modules allows to create complex lighting.

<b>Description</b>	ProxiDimmer L304
<b>Dimension</b>	35x10 mm
<b>Power Supply Type</b>	Constant Voltage (CV)
<b>Power Supply Voltage</b>	8-28 V DC
<b>Max. Output Current</b>	2 A
<b>Detection Distance With Transparent Cover</b>	~50 mm
<b>Detection Distance With Opal Cover</b>	~30 mm
<b>Cable Connection</b>	Solder Pads
<b>Max Ambient Temperature</b>	40°C
<b>Material Thickness</b>	0,8 mm
<b>PCB</b>	FR4

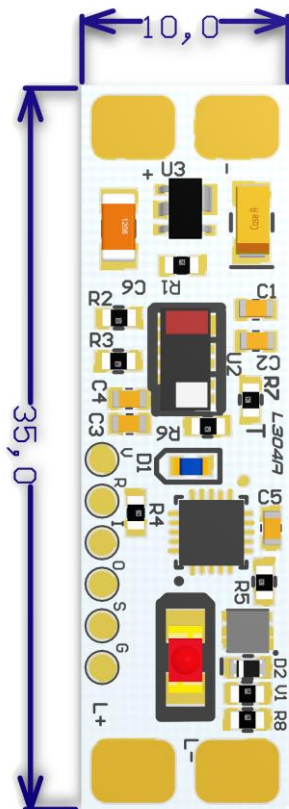
### FEATURES

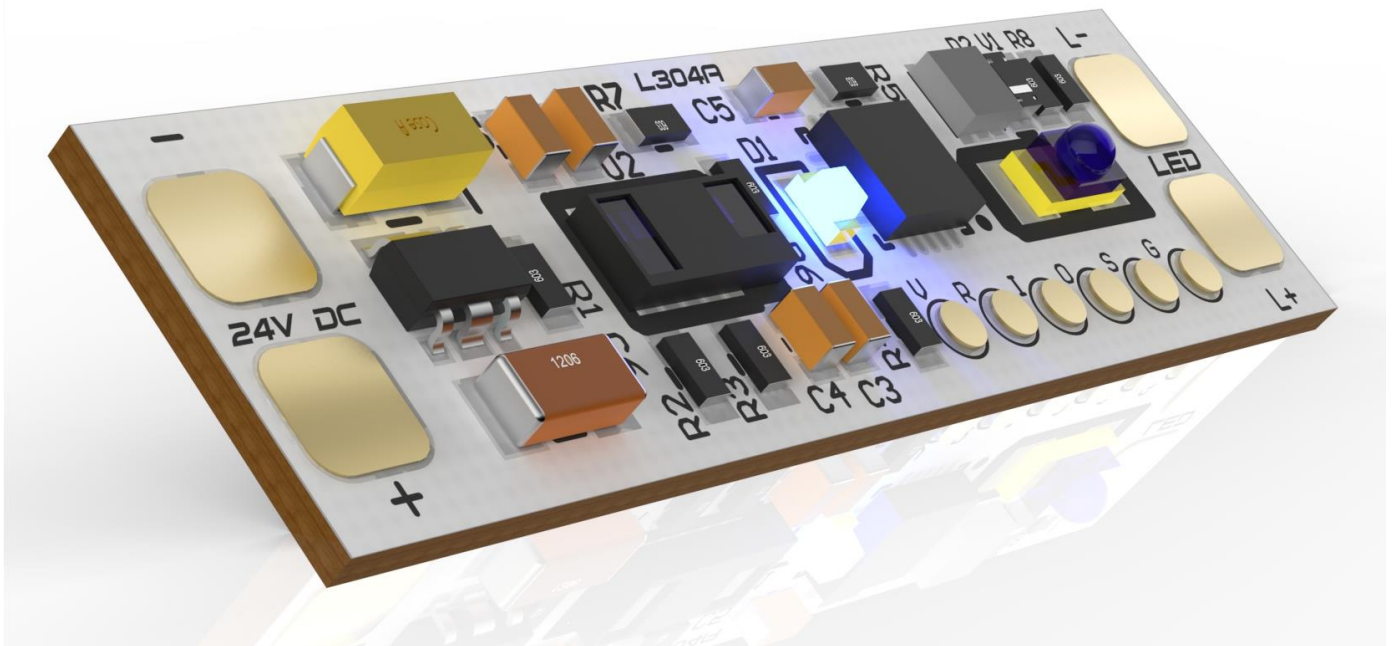
Advantage of ProxiDimmer is ability to changes light intensity without direct touching the device. Drivers are specially designed to control LED CV modules.

- Rigid board module
- Simple installation
- Light control without direct touch
- Small size
- Can be mounted in profile
- Detection distance up to 50 mm

### APPLICATIONS

- Ideal for ceiling-mounted and wall-mounted luminaries
- Kitchen countertop lighting
- Mirror backlight
- Table lamp
- Retrofits and fixtures
- Accent and Effect Lighting
- Professional downlights
- LED profile





#### **SAFETY**

Drivers may change light intensity, but even dimmed LEDs generate high intensity light. Looking into LEDs beam is unhealthy and may cause irreversible injury to eye's retina. Never look into the beam without protection glasses with appropriate filter. Additionally they may change LEDs light intensity almost immediately. If people are photosensitive, LEDs light may be a trigger to epileptic seizures and alter the perception, especially when light change very fast.

Drivers can work on high power supply current, so never touch components and wires of controller when power supply is on.

#### **PROTECTION MEASURES AGAINST DAMAGE**

Drivers are delicate, even small mechanical stress may damage drivers. Such stresses should be avoided. If it is impossible, it should be kept to minimum. Mechanical stresses such as pressure, bending, breaking, drilling, etc. may cause irreversible damage. Damaged drivers aren't suitable for use.

Serious threat to drivers is electrostatic voltage discharge. Human body generate very high electrostatic voltage. Such voltage decrease lifetime and in worst case may destroy electronic components. Best way to avoid damage is use of electrostatic protection. Do not touch electronic components.

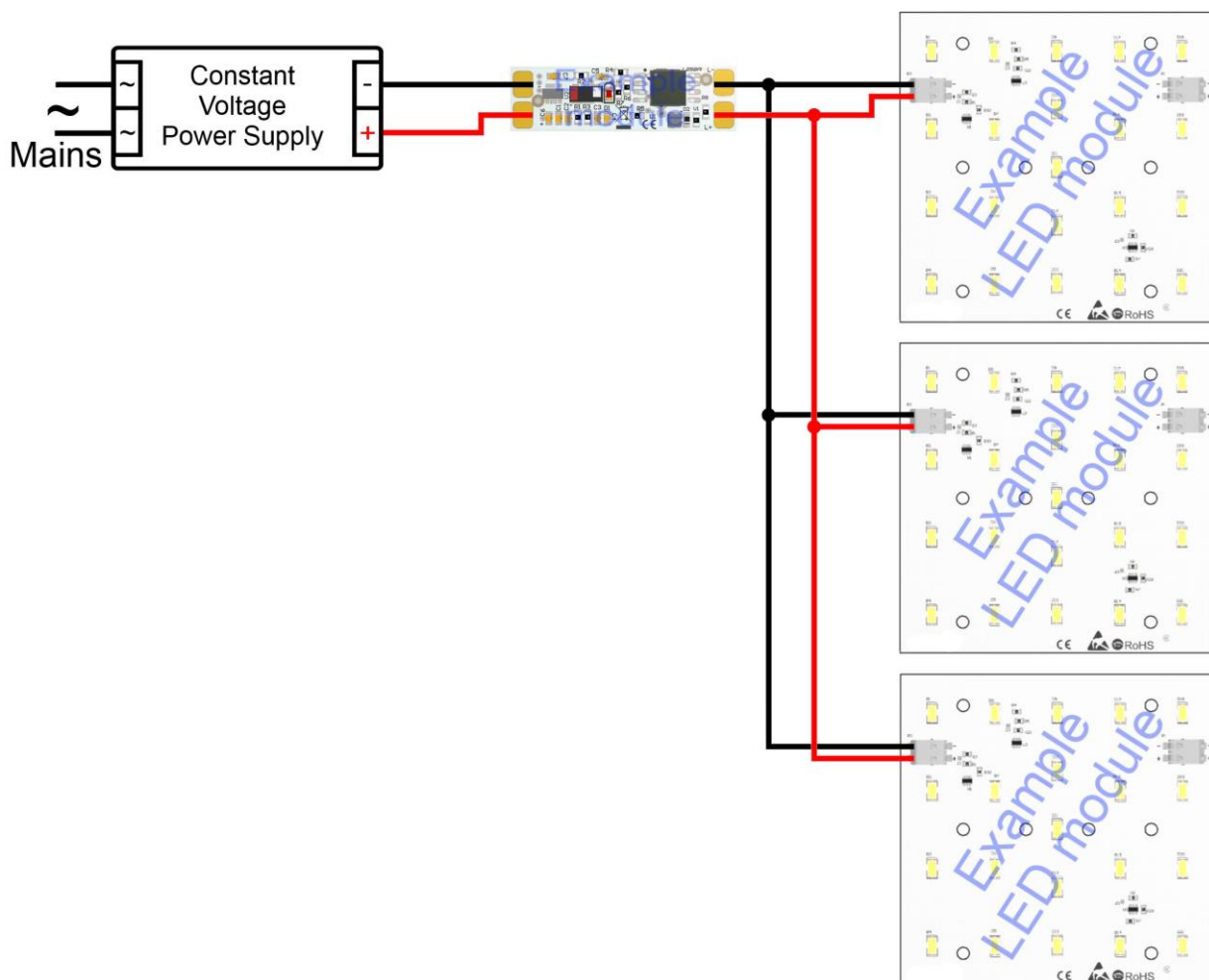
Additionally drivers can be damaged by some chemical substances. Depends of elements the damage may be different. It is important not to use chemical substances like acids, organic acids, sulphur, alkalis, organic solvents, mineral oils, vegetable oils and synthetic oils, etc. We are not responsible for any loss, or damage resulting from improper use of drivers! Guarantee become void in such cases.

Do not operate drivers, when they aren't working properly. If drivers are working incorrectly, turn off power supply. Damaged drivers may cause electric shock or short circuit.

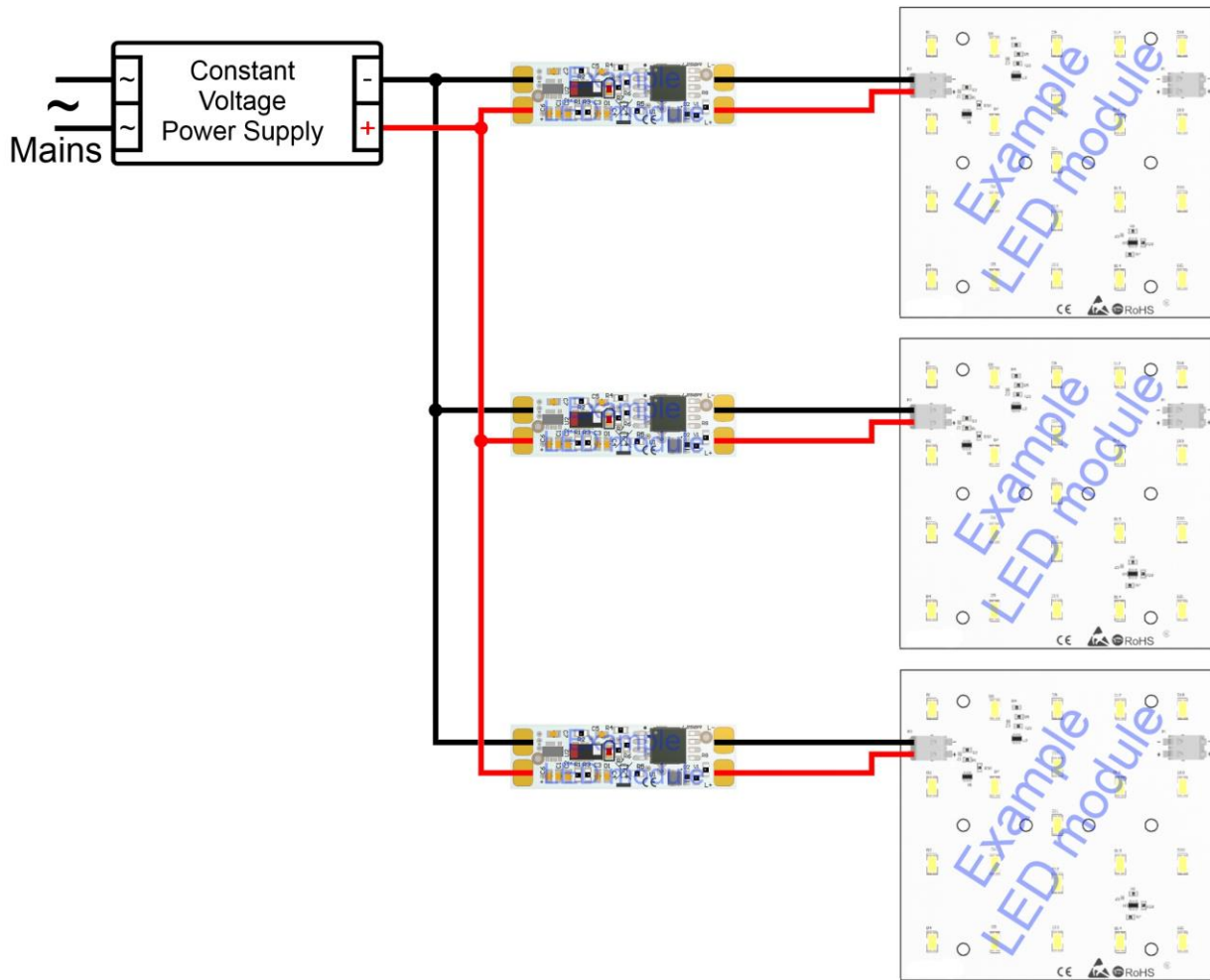
### CONNECTIONS

The drivers must be operated by suitable power supply. When connecting a few drivers and LED modules use of appropriate power supply is important. Power supply should have sufficient max. power to maintain all drivers and LED modules. Power supply must be connected properly. Wrong polarization can destroy drivers and modules in very short time. Modules can be operated using a LED controller. It allows to use light effects, dimmer, etc. Thanks to ProxiDimmer it is possible to change of light intensity of modules. If ProxiDimmer detects objects at close range for a short time, then it will turn off or turn on LED modules. Longer holding will change light intensity. We have got several different types of LED modules like CV, Power LED etc. in our offer. We are not responsible for any loss, or damage resulting from improper use of driver and modules! Guarantee become void in such cases.

### WIRING DIAGRAM FOR PROXIDIMMER WITH MODULES



Advantage of this solution is uniform changes of light intensity. It may meet requirements of SELV. Higher current supply is required for proper operation and is determining the maximal number of LED modules connected to the driver. Higher current increases temperature and decreases lifetime. The above connection is an example and may be different from the actual.



Advantages of this solution are independences changes of light intensity and lower current on drivers. It may meets requirements of SELV. It is possible to connect drivers in mixed way. Above connection is examples and may be different from the actual.

### COOLING

The drivers are self-cooled but if temperature exceeds 70°C, than a heat-sink is required. Temperature should be measure in the middle of the board. The temperature can be measured with thermocouple or simple temperature probe. Drivers produces heat. They must be provided with good air ventilation. Drivers without air ventilation can overheat. Overheat can damage or destroy some elements or entire driver. We are not responsible for any loss, or damage resulting from improper use of drives! Guarantee become void in such cases.

## STANDARDS AND DIRECTIVES

In the process of designing and manufacturing the following standards and directives were taken into account:

- 2006/95/EC – Low-voltage Directive: electrical equipment for use within certain voltage limits
- 2004/108/EC – EMC Directive: electromagnetic compatibility
- 2011/65/EC – RoHS Directive: restriction of hazardous substances in electrical and electronic equipment
- DIN IEC 62031:2008 – Safety requirements for LED modules
- EN 60598-1:2008 and A11:2009 – General requirements and tests for luminaires
- EN 60598-2-2:1996 and A1:1997 – Luminaires - Part 2. Special requirements; Main section 2: Recessed luminaires
- EN 62471:2008 – Photo-biological safety of lamps and lamps systems
- EN 61347-1:2009 – General and safety requirements
- EN 61347-2-13:2007 – Special requirements for DC and AC powered electronic operating equipment for LED modules
- EU Regulation No: 874/2012 – Energy labelling of electrical lamps and luminaries

## CONTACT

CEZOS

81-534 Gdynia POLAND,

Olgiarda 88/b

tel. +48 58 664 88 61

[cezos@cezos.com](mailto:cezos@cezos.com)

[www.cezos.com](http://www.cezos.com)

Subject to technical changes and errors.