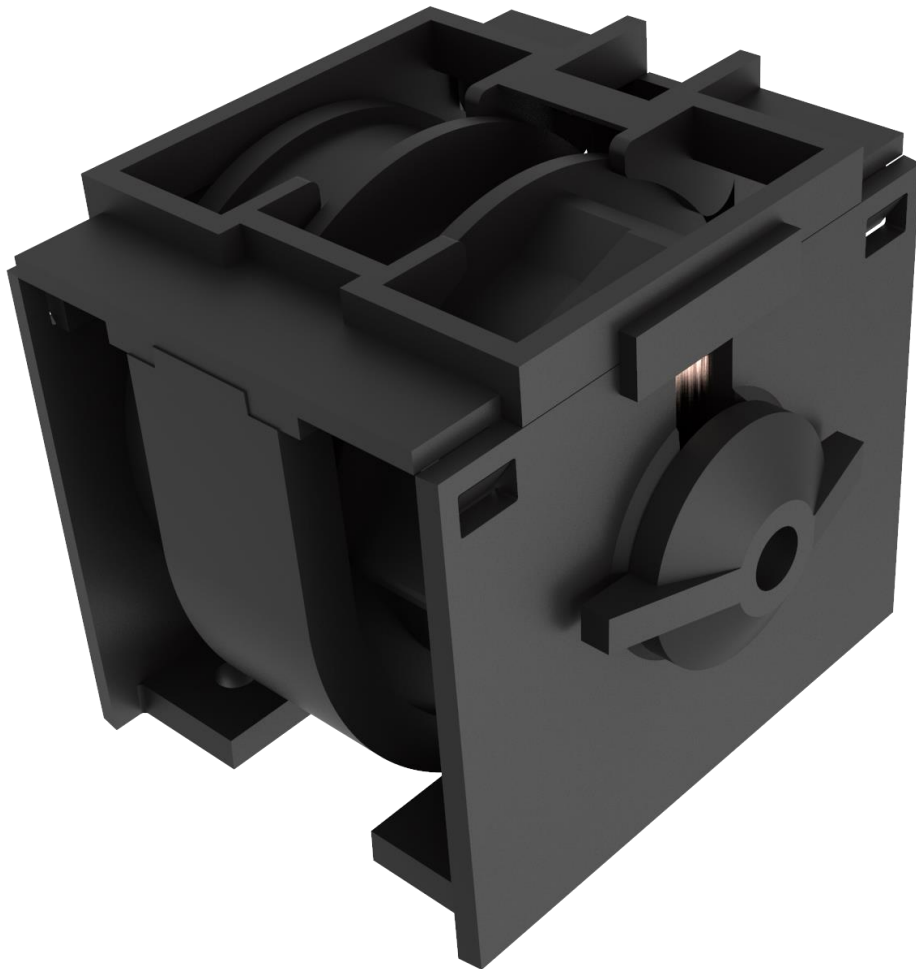


Preliminary Datasheet

CEZOS

ROLLI



INTRODUCTION

Rolli is an advanced cable lift with 1 m height regulation, designed for indoor lighting.

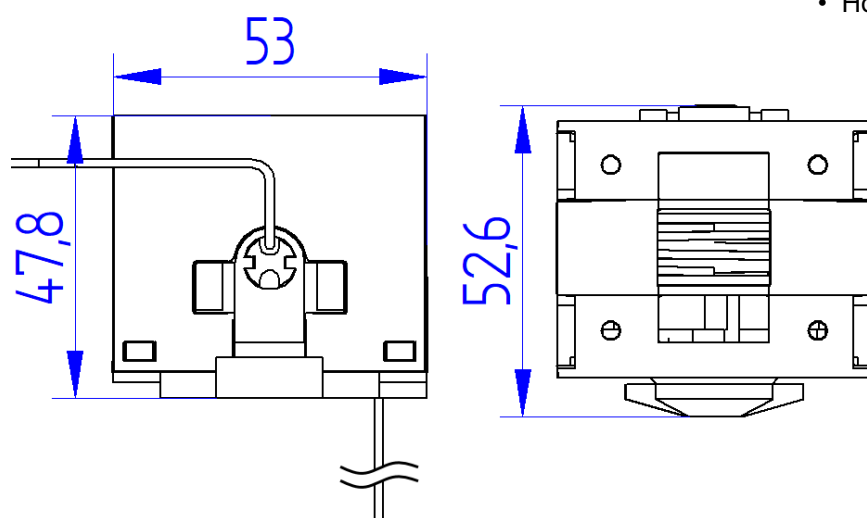
Dimension	53x52,6x47,8 mm
Minimum Load	0,25 kg/pcs
Maximum Load	1,1 kg/pcs
Cable Length	Total 2 m (1 m regulation)
Power Supply Type	Constant Current (CC) Constant Voltage (CV)
Maximum Voltage	60 V DC
Maximum Current	4 A

FEATURES

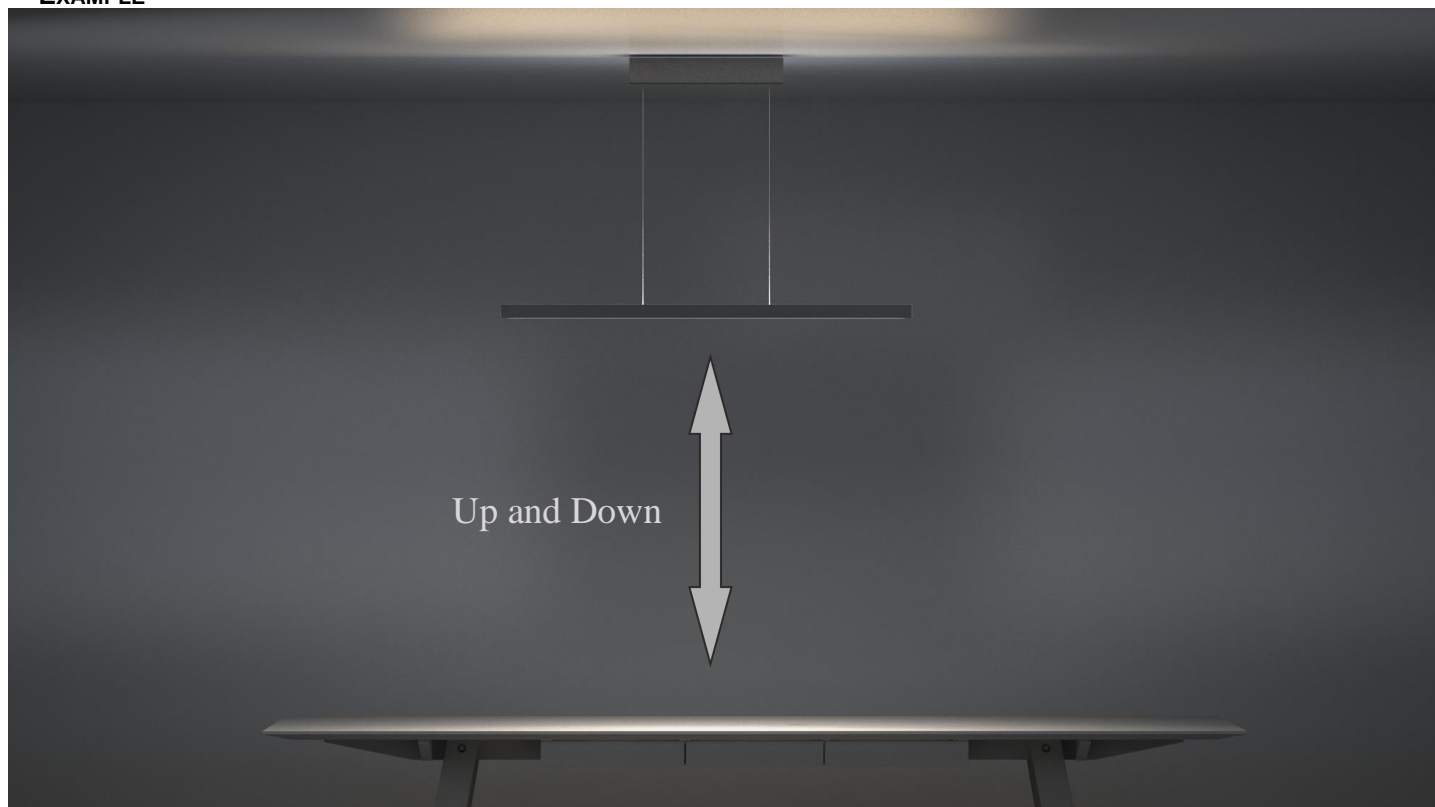
- Simple installation
- Height regulation 1 m

APPLICATIONS

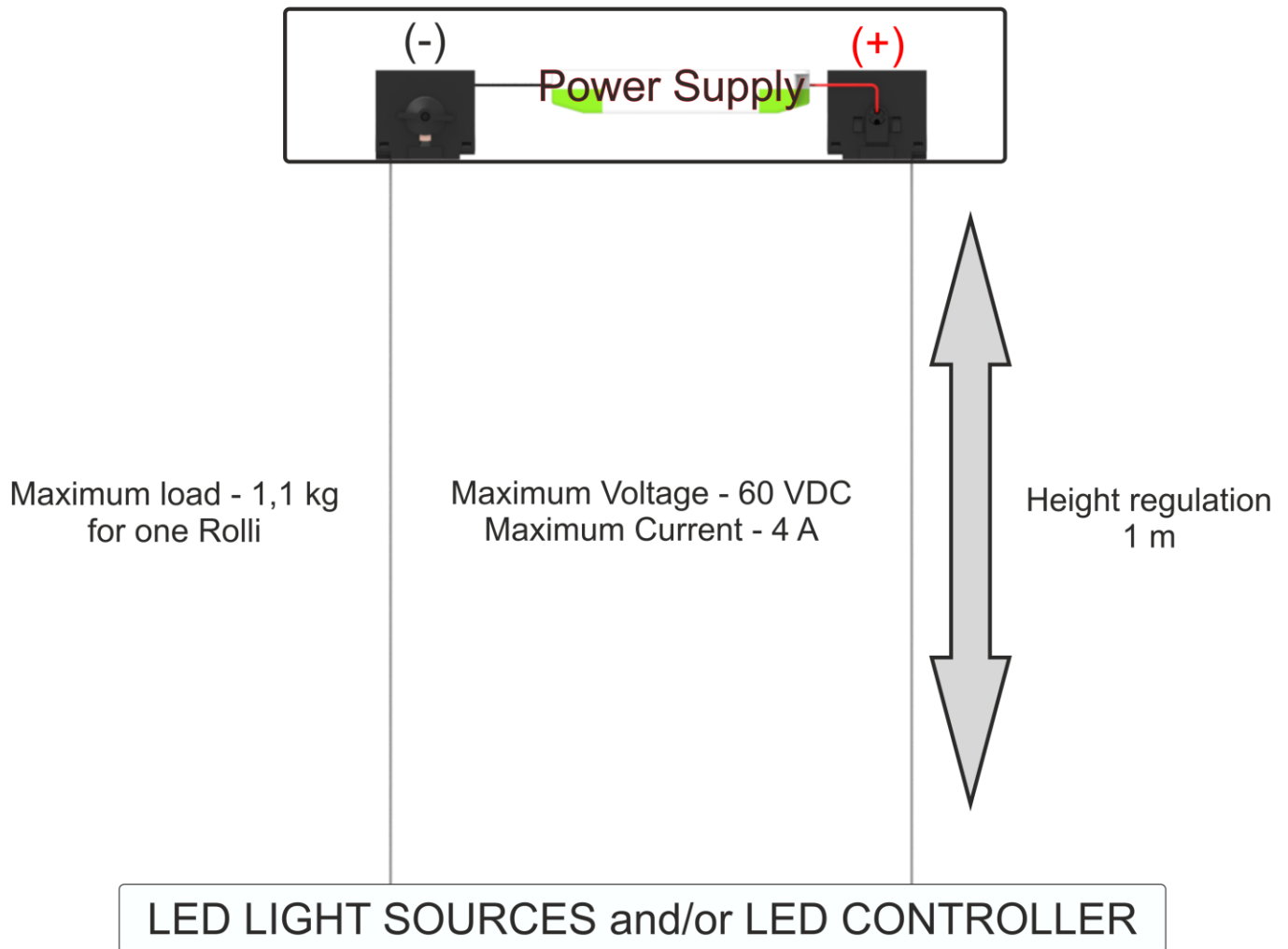
- Production halls
- Hotel lighting
- Home lighting



EXAMPLE



CONNECTION DIAGRAM



SAFETY

When using several Rolli, the load must be distributed evenly between them. The lamp must be leveled and can't hanged at an angle to the ground. Unequal load on one of cable lift may cause damage.

Use of two Rolli is needed to power light sources, one Rolli for one potential. Never use more than two Rolli to power one electrical circuit, because current may not be evenly distributed.

We are not responsible for any loss, or damage resulting from improper use of all parts! Guarantee become void in such cases.

CONTACT

CEZOS

81-534 Gdynia POLAND,

Olgiarda 88/b

tel. +48 58 664 88 61

cezos@cezos.com

www.cezos.com

Subject to technical changes and errors.